

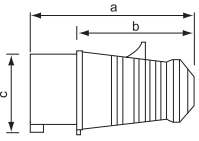



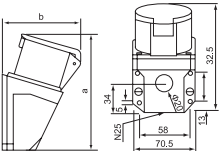



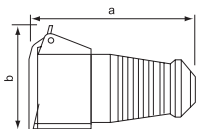






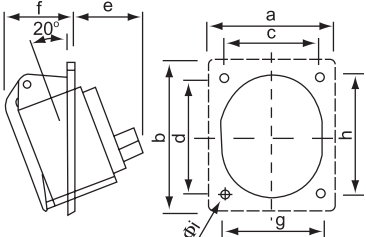






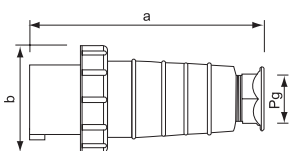




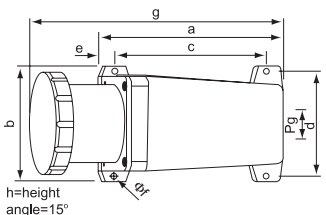




PC-plug Sockets & Couplines

APPLICATION

PC plugs sockets and couplings are constructed for extreme operating conditions. They are of easy installation, long life high reliability. They are widely used since many years ago in the machine industry, crane industry, construction industry, trains and cars.

	Amp	Poles	Voltage	Model	Dimensions	IP-44 wearher proof CEE plugs & sockets referentc g/h
					a x b x c (mm)	
	16A	 2P+E	110V	013-4	138 x 101 x 51	
	32A	 2P+E	110V	023-4	138 x 92 x 63	
	16A	 2P+E	110V	113-4	131 x 88	
	32A	 2P+E	110V	123-4	142 x 96	
	16A	 2P+E	110V	213-4	145 x 66	
	32A	 2P+E	110V	223-4	149 x 90	
	16A	 2P+E		413	138 x 101 x 51	
	32A	 2P+E		423	138 x 92 x 63	
	16A	 3P+E		414	131 x 88	
	32A	 3P+E		424	142 x 96	
	16A	 3P+N+E		415	145 x 66	
	32A	 3P+N+E		425	149 x 90	
		 2P+E	200/250V	033	130 x 109 x 36	
	63A	 3P+E	380/415V	034	230 x 109 x 63	
	(033 034 035)	 3P+N+E	220/415V	035	230 x 109 x 63	
		 2P+E	200/250V	133	270 x 130	
	63A	 3P+E	380/415V	134	270 x 130	
	(133 134 135)	 3P+N+E	220/415V	135	270 x 130	