

DEM352

SINGLE PHASE ELECTRONIC SOCKET INSTALLED ACTIVE ENERGY METER

Application

Model DEM352 single phase electronic socket installed active energy meter is a kind of new style portable socket installed single phase two wire active energy meter, it adopt micro-electronics technique, and imported large scale integrate circuit, use advanced technique of digital and SMT techniques, etc. It is use for the people who hope power monitor to house appliance. The meter completely accord with relevant technical requirements of class 2 single phase active energy meter stipulated in international standard IEC 62053-21. It can accurate and directly measure 50Hz or 60Hz active energy consumption from single phase AC electricity net, it can display total energy consumption by step motor type impulse register. It has following features: good reliability, small volume, light weight, specious nice appearance, convenient installation, etc.

Functions and features

- Portable socket installed, the cover, the bottom of the meter, and the terminal are made of flame-retardant glass fiber make strong of PC material with transparent glass window which made of PC material, it has following features: anti-impact, specious appearance, etc.
- Plug and socket can turn right 90°, and make installation and using conveniently.
- The plug can fit for all kinds of socket in Europe. There are two kinds of sockets you can choose, two-hole a circular type grounding needle (Product Configuration code is ZA) and two-hole and two grounding strip (Product Configuration code is ZB).
- 5+1 digits display (99999.1kWh) by step motor type impulse register.
- Two LED instructions power supply state (green) and signal of energy impulse (red).
- Standard configuration don't detection direction of the flow of load current. May select automatic detection the direction of the flow of load current. And instructions (Only red energy pulse signal when working, that is meaning the direction of the flow of load current reverse).
- Single direction measure single phase two wire active energy consumption. It is nothing with direction of the flow of load current. Complying with standard IEC 62053-21.
- Directly connect operation, type 1C wiring.

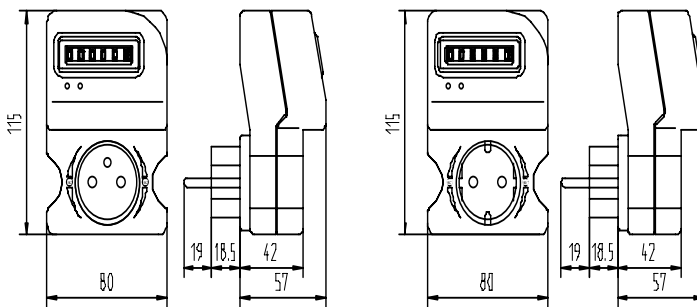


Technical parameters

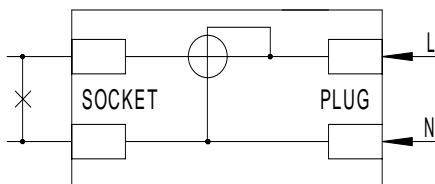
| Model | Accuracy | Reference Voltage(V) | Current specifications(A) | Starting current(A) | Insulation performance |
|--------|----------|----------------------|---------------------------|---------------------|---|
| DEM352 | Class 2 | 127 230 | 3(16) | 0.015 | AC voltage 4kv for 1 minute, 1.2/50us waveform impulse voltage 6kv |

* If you need different reference voltage or current specification, please advisory our sales personnel.

Outer and mount dimension



Wiring diagram (Type 1C)



| Terminals | Note |
|-----------|---|
| Plug | Inlet, connect power |
| Socket | Outgoing, connect trend of load current |