

### MY series Mini Circuit Breaker



MY 1P

#### APPLICATIONS

The products of MY belong to the advanced level of the nineties in the international instead of the older generation of MY. They have protective function for shortage and overload, and used in lighting distribution system in industry, commerce and dwelling, and protecting fractional electric motors. And they also have many merits like high protective grade (up to IP20), high breaking capacity, reliable sensitive action, convenient, multipole assembling, long life etc. They are mainly adapted to the circuit of AC 50Hz, 230V in single pole, 400V in double, three four poles for protecting overload and short circuit. Meanwhile, they are also used in turning on and off the electric apparatus and lighting circuit under the normal condition.

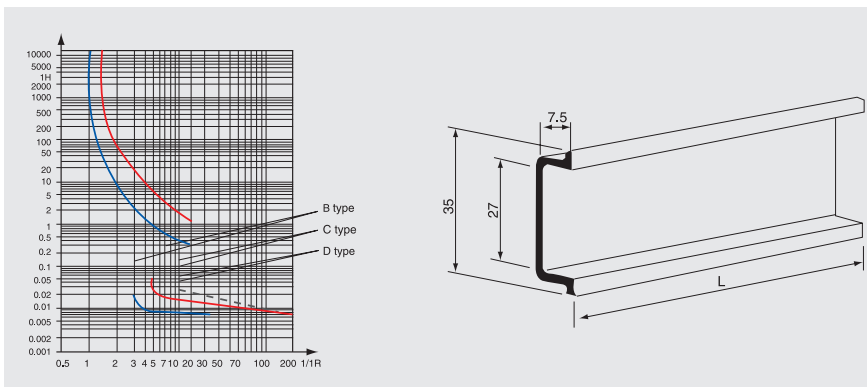
#### TECHNICAL SPECIFICATION

Poles (P)	1, 2, 3, 4
Rated voltage (V)	230/400
Mechanical and electrical life	(0-C) not less than 6000 operations
Rated current (A)	1, 2, 3, 4, 6, 10, 16, 20, 25, 32, 40, 50, 63
Protective grade	IP20
Breaking capacity	IEC 60898



MY 2P

#### CHARACTERISTIC CURVE



#### DIMENSIONS



MY 3P

