

L7 series Mini Circuit Breaker



L7 1P



L7 2P



L7 3P

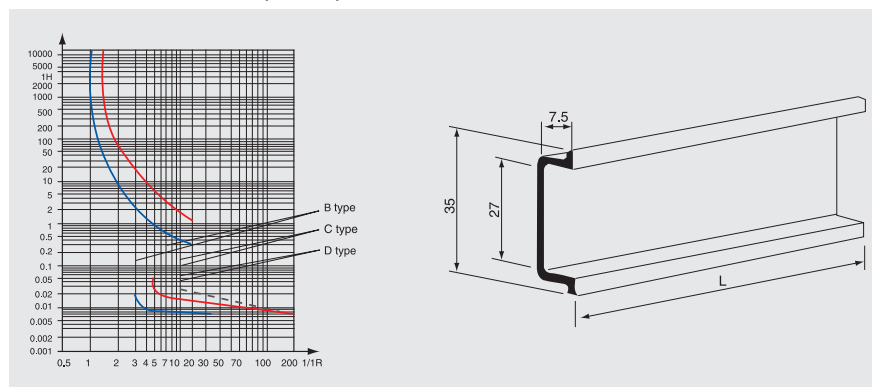
APPLICATION

The products of L7 belong to the advanced level of the nineties in the international instead of the older generation of L7. They have protective function as shortage as overload, and are used in lighting distribution system in industry, commerce and dwelling, and protecting fractional electric motors. And they also have many merits of high protective grade (up to IP20), high break capacity, reliable sensitive action, convenient, multipole assembling, long life etc. They are mainly adapted to the circuit of AC 50Hz, 230V in single pole, 400V in double, three, four poles for protecting overload and short circuit. Meanwhile, they are also used in turning on or off the electric apparatus and lighting circuit under the normal condition.

TECHNICAL SPECIFICATION

Poles (P)	1, 2, 3, 4
Rated Voltage (V)	230/400
Mechanical and Electrical life	(O-C) not less thee 6000 operations
Rated current (V)	1,2,3,4,6,10, 16,20,25,32,40,50,63
Rated voltage(Un)	AC240/415V
Protective grade	IP20
Breaking capacity	IEC60898
Rated breaking capacity(Icn)	10000A
Endurance	≥ 2500
Circumstance temperature	-5 °C +40 °C
Electrical life	≥ 8000 times
Mechanical life	4000 times
Tropical ration	Treatmen 2(RH95%, at 55 °C)
Protection degree	IP20

CHARACTERISTIC CURVE (BS/IEC)



DIMENSIONS

